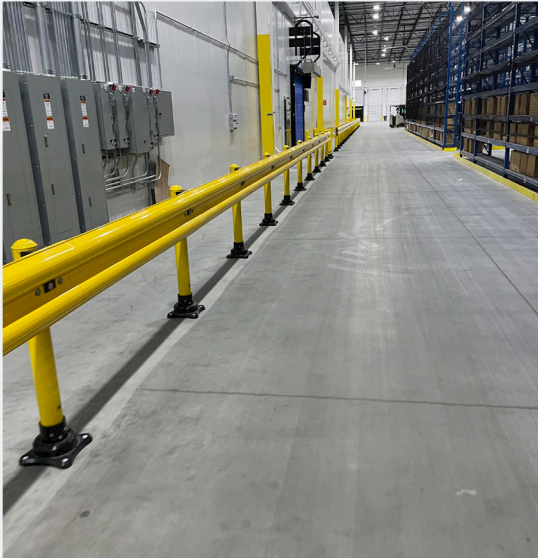
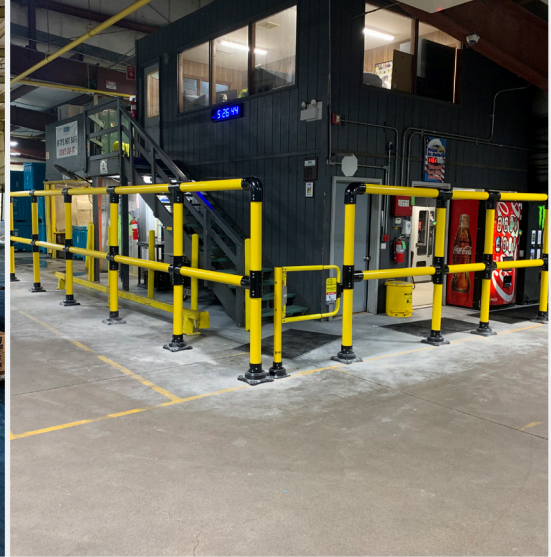
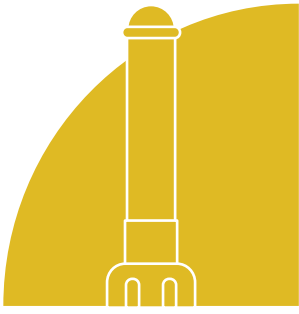




**Built to Protect What Matters**



**Warehouse & Storage  
Safety Solutions**



## SlowStop®: Our Revolutionary Energy-Absorbing Protective Guarding System

SlowStop is the premier protective guarding product line. With rugged construction and innovative rebounding technology, SlowStop absorbs more impacts and lasts longer providing our customers with better value and greater peace of mind - year after year. Offering the strongest flexible protection available on the market, SlowStop is a modular, energy-absorbing steel guarding system that protects your most valuable assets.

### How It Works

During a collision, the kinetic energy of the impact is absorbed by an elastomer in the base of the vertical post. This allows the post to tilt approximately 20° as it progressively absorbs energy, softening the impact. After the impact, the post returns upright, leaving the guard intact and ready to perform again.

SlowStop is designed as an easily maintained modular system that prevents damage. Modular connectors create fences, corner guards, column protectors, rack end guards, and so much more!

### Benefits

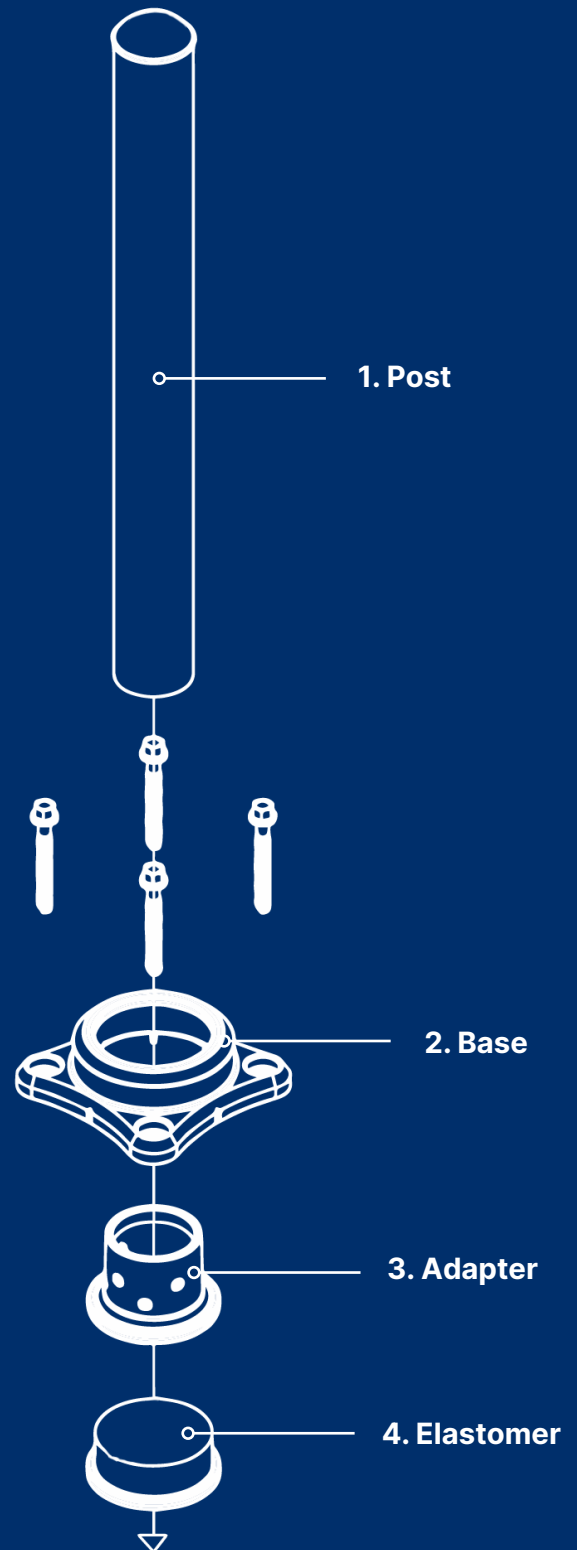
Increased personnel and pedestrian safety

Flexible system absorbs energy, reducing damage to assets, equipment, and pedestrians

Simple installation and instantly operational

Modular steel system can create any unique custom barrier needed for your facility

Easy relocation and retrofitting



**The system is made up of four main components (pictured above):**

1. Post (standard schedule 40 / ISO pipe or equivalent)
2. Base
3. Adapter
4. Elastomer (energy absorbing)



## Protect Your Warehouse or Storage Facilities with SlowStop® Protective Guarding

Is your warehouse prepared for the unexpected? Forklifts, pallet jacks, and heavy equipment accidents can cost thousands in repairs, downtime, and injuries. SlowStop® Protective Guarding is the premier protective guarding product, offering the strongest steel flexible protection on the market. Its rugged construction and innovative rebounding technology meet the demands of even the most challenging environments, providing a reliable and cost-effective solution to safeguard your facility, employees, and equipment.

### Product Benefits

- **Superior Impact Resistance:** Our flexible steel bollards and barriers absorb and redistribute energy upon impact, preventing damage to equipment, inventory, and infrastructure.
- **Cost-Effective Solutions:** Unlike traditional rigid barriers, SlowStop® products require minimal maintenance and can reduce expensive repairs after collisions.
- **Easy Installation:** Our modular designs make installation quick and hassle-free, allowing you to protect your warehouse without significant downtime.
- **Safety First:** Protect your employees by minimizing collision risks in high-traffic areas. SlowStop® products help prevent accidents before they happen.

### Applications

- **Loading Docks:** Prevent damage to doors, walls, and equipment.
- **Rack Protection:** Shield your storage racks from forklift collisions.
- **Pedestrian Zones:** Clearly define and safeguard walkways, offices, and dock stands.
- **Facility Equipment:** Guard HVAC units, fire hydrants, support columns, and other critical infrastructure.

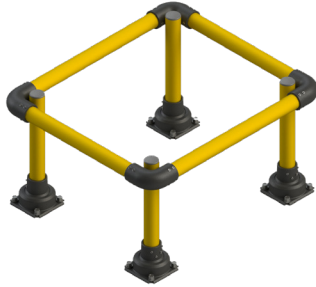


## Bollards

---

### PRODUCTS: REBOUNding STEEL BOLLARD

Our rebounding steel bollards are successfully used in commercial locations, industrial environments, logistic sites, and for traffic control situations. Their strength rivals that of traditional embedded bollards with lower costs and less hassle. Four sizes to fit your application.



## Column Protection

---

### PRODUCTS: COLUMN PROTECTOR

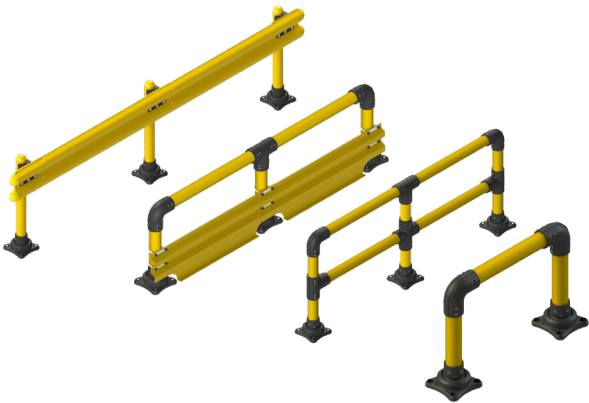
These column protectors utilize our patented rebounding guarding technology to combine four bollards into a complete barrier that protects critical columns from potential catastrophic failure.

## Dock Bumper

---

### PRODUCTS: PARTS & ACCESSORIES

Our dock bumper brings rebounding and cushioning technology to dock bumpers. Its unique shape eliminates hang-ups, hitch points, and greatly reduces noise. The special reflex cavity on the bumper is energy absorbing and reduces building concrete damage.



## Guardrail Systems

---

### PRODUCTS: HORSESHOE, FLEXRAIL, IRONFLEX RAILING, FORKLIFT PROTECTION PLATE

With our cast-iron elbow, tee, and cross-shaped tubular joints, we can easily configure custom guarding such as u-shaped brackets, safety railings, protection buffers, fences, and guardrail systems. Use our composite FlexRail for long aisles and pedestrian walkways.

## Rack End Protection

---

### PRODUCTS: RACK END GUARD

Specially designed for common pallet rack sizes, these IronFlex guards protect your rack ends from damage while resisting damage themselves.





## Take the Next Step in Protecting Your Facility

By choosing Impact Recovery, you are making a commitment to improving the safety of your facility. Together, we can create a safer, more sustainable future.

- **Free Consultations:** Schedule a free consultation with our safety experts to assess your facility's needs. We'll provide personalized recommendations to enhance your protection.
- **On-Site Assessments:** Our team can visit your location to conduct a thorough on-site assessment, identifying potential hazards and suggesting optimal guarding solutions.
- **Custom Solutions:** We understand that every facility is unique. That's why we offer custom solutions tailored to your specific requirements, ensuring maximum protection and efficiency.
- **Installation Training:** Our team will provide on-site installation training. This service is an added benefit that we encourage to ensure a seamless and hassle-free process.

### Contact for Details & Options

For more information on how Impact Recovery's SlowStop® Protective Guarding products can benefit your community, contact us today:

**Email:** [info@impactrecovery.com](mailto:info@impactrecovery.com)  
**Phone:** (210) 736-4477 | 1-800-736-5256  
**Website:** [impactrecovery.com](http://impactrecovery.com)