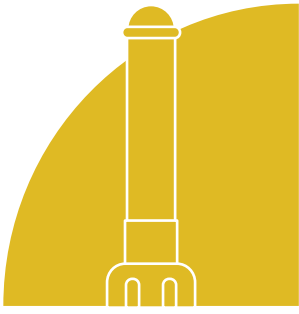




Built to Protect What Matters



Airport Safety Solutions



SlowStop®: Our Revolutionary Energy-Absorbing Protective Guarding System

SlowStop is the premier protective guarding product line. With rugged construction and innovative rebounding technology, SlowStop absorbs more impacts and lasts longer providing our customers with better value and greater peace of mind - year after year. Offering the strongest flexible protection available on the market, SlowStop is a modular, energy-absorbing steel guarding system that protects your most valuable assets.

How It Works

During a collision, the kinetic energy of the impact is absorbed by an elastomer in the base of the vertical post. This allows the post to tilt approximately 20° as it progressively absorbs energy, softening the impact. After the impact, the post returns upright, leaving the guard intact and ready to perform again.

SlowStop is designed as an easily maintained modular system that prevents damage. Modular connectors create fences, corner guards, column protectors, rack end guards, and so much more!

Benefits

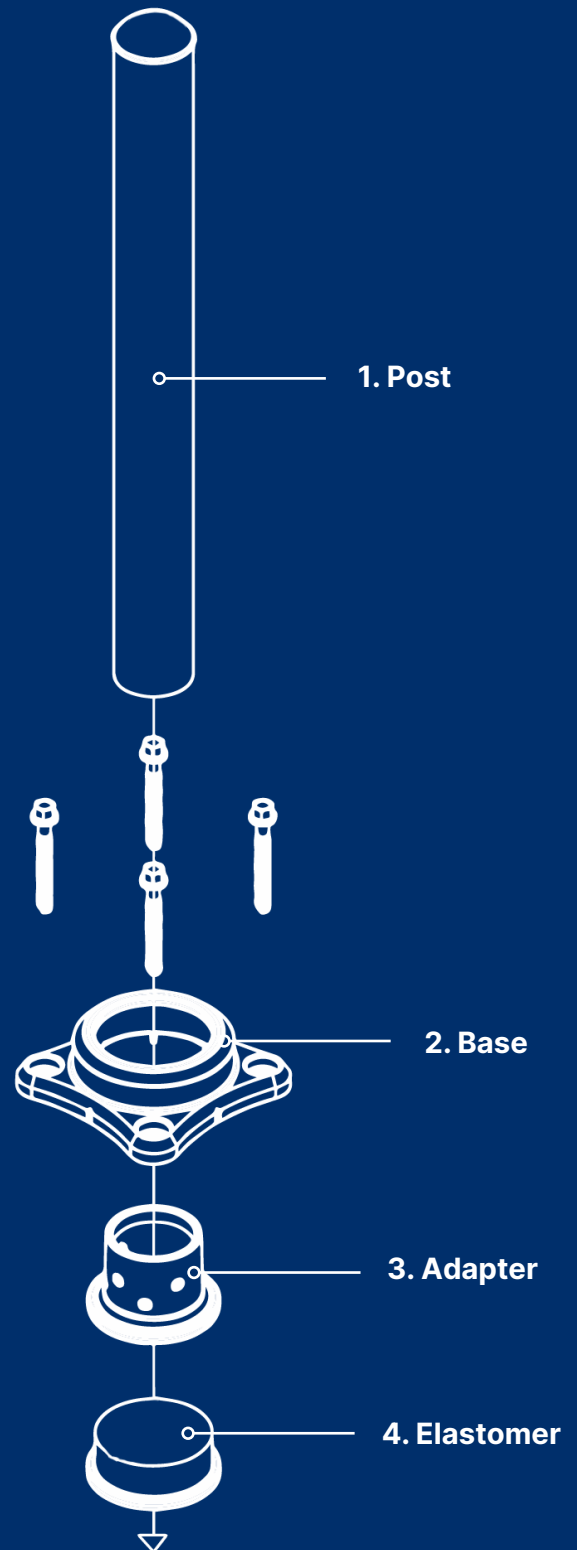
Increased personnel and pedestrian safety

Flexible system absorbs energy, reducing damage to assets, equipment, and pedestrians

Simple installation and instantly operational

Modular steel system can create any unique custom barrier needed for your facility

Easy relocation and retrofitting



The system is made up of four main components (pictured above):

1. Post (standard schedule 40 / ISO pipe or equivalent)
2. Base
3. Adapter
4. Elastomer (energy absorbing)



Protect Your Airport Structures with SlowStop® Protective Guarding

Airports are busy hubs with constant traffic from vehicles, equipment, and pedestrians. Protecting passengers, staff, and assets is critical to maintaining smooth operations and avoiding costly accidents or damage. SlowStop® Protective Guarding is the premier solution, offering the strongest steel flexible protection on the market. Its rugged construction and innovative, energy-absorbing rebounding technology are designed to meet the demands of even the most challenging environments. With SlowStop®, you can reliably safeguard critical areas, employees, and equipment from vehicle strikes while improving safety and efficiency across your airport.

Product Benefits

- **Energy-Absorbing Technology:** Reduces damage to vehicles and structures.
- **Durability:** Long-lasting, high-visibility barriers for extreme conditions.
- **Easy Installation:** Minimal disruption, fast deployment.
- **Cost-Effective:** Avoid expensive repairs and downtime.

Applications

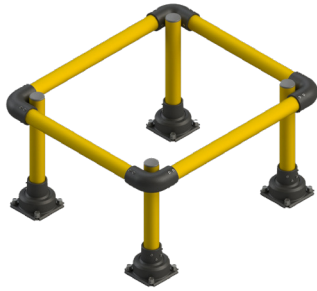
- **Passenger Drop-Off Zones:** Prevent damage to terminals and curbside infrastructure.
- **Loading Docks & Baggage Areas:** Shield ground support equipment, conveyors, and cargo operations.
- **Parking Facilities:** Protect pedestrian walkways and parking structures.
- **Airside Operations:** Guard planes, gates, and ground equipment from accidental collisions.



Bollards

PRODUCTS: REBOUNDING STEEL BOLLARD

Our rebounding steel bollards are successfully used in commercial locations, industrial environments, logistic sites, and for traffic control situations. Their strength rivals that of traditional embedded bollards with lower costs and less hassle.



Column Protection

PRODUCTS: COLUMN PROTECTOR

These column protectors utilize our patented rebounding guarding technology to combine four bollards into a complete barrier that protects critical columns from potential catastrophic failure.

Dock Bumper

PRODUCTS: PARTS & ACCESSORIES

Our dock bumper brings rebounding and cushioning technology to dock bumpers. Its unique shape eliminates hang-ups, hitch points, and greatly reduces noise. The special reflex cavity on the bumper is energy absorbing and reduces building concrete damage.



Guardrail Systems

PRODUCTS: HORSESHOE, FLEXRAIL, IRONFLEX RAILING, FORKLIFT PROTECTION PLATE

With our cast-iron elbow, tee, and cross-shaped tubular joints, we can easily configure custom guarding such as u-shaped brackets, safety railings, protection buffers, fences, and guardrail systems. Use our composite FlexRail for long aisles and pedestrian walkways.

Rack End Protection

PRODUCTS: RACK END GUARD

Designed to protect pallet rack ends, these low, horizontal barriers can be used to protect walls, guide vehicles, and other equipment while resisting damage themselves.





Take the Next Step in Protecting Your Facility

By choosing Impact Recovery, you are making a commitment to improving the safety of your facility. Together, we can create a safer, more sustainable future.

- **Free Consultations:** Schedule a free consultation with our safety experts to assess your facility's needs. We'll provide personalized recommendations to enhance your protection.
- **On-Site Assessments:** Our team can visit your location to conduct a thorough on-site assessment, identifying potential hazards and suggesting optimal guarding solutions.
- **Custom Solutions:** We understand that every facility is unique. That's why we offer custom solutions tailored to your specific requirements, ensuring maximum protection and efficiency.
- **Installation Training:** Our team will provide on-site installation training. This service is an added benefit that we encourage to ensure a seamless and hassle-free process.

Contact for Details & Options

For more information on how Impact Recovery's SlowStop® Protective Guarding products can benefit your community, contact us today:

Email: info@impactrecovery.com
Phone: (210) 736-4477 | 1-800-736-5256
Website: impactrecovery.com

4955 Stout Drive, San Antonio, TX 78219 | (210) 736-4477 | 1-800-736-5256 | impactrecovery.com

©2025 Impact Recovery Systems, Inc.® All rights reserved. Impact Recovery Systems, OneBase, and Tuff Curb are registered trademarks of Impact Recovery Systems, Inc.® SlowStop® is a registered trademark of SlowStop Guarding Systems, LLC.® Products are covered by U.S. and international patents. Other U.S. and international patents pending.
January 2025