

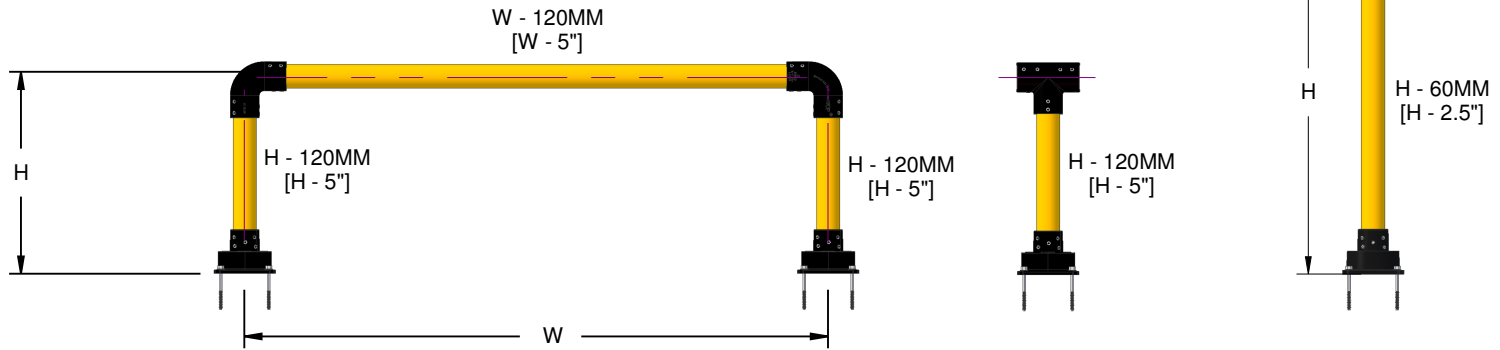
NOTES:

1. ALL MEASUREMENTS ROUNDED TO NEAREST 5MM / 1"
2. PIPE LENGTHS ARE FROM DESIRED CENTERLINES
3. CENTERLINES WILL VARY +/-10MM [+/- 0.5"]
4. PIPE DIAMETER: 76,1MM (ISO) / 2.88" (US)
5. BASE SIZE: 190MM X 190MM / 7.5" X 7.5"

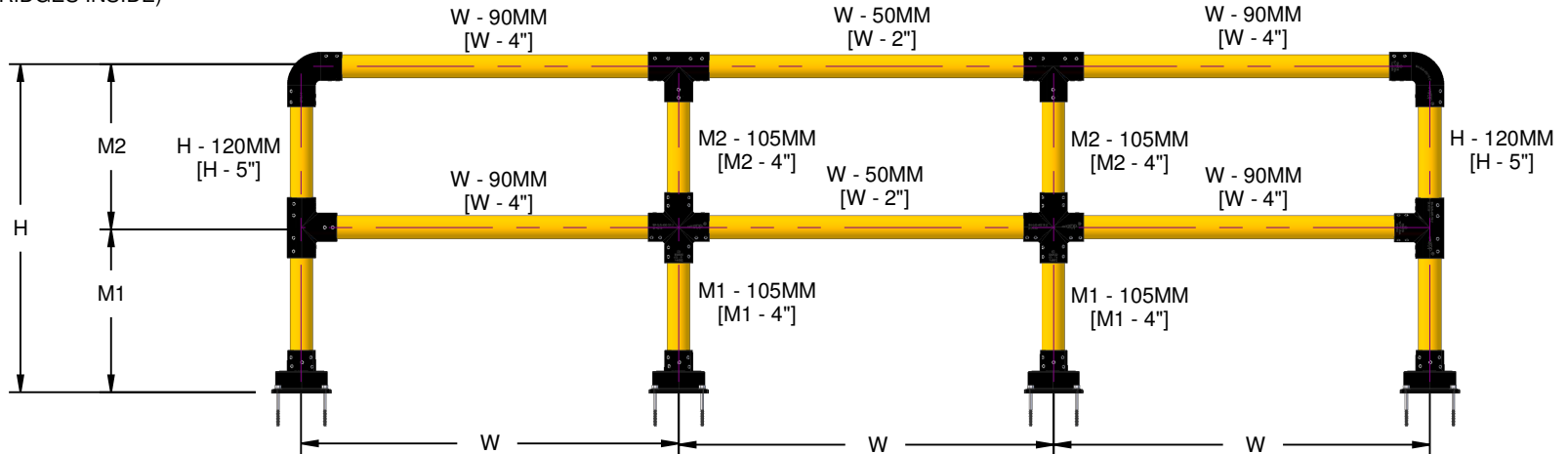
EXAMPLE:

600 MM TALL X 1000MM WIDE HORSESHOE

VERTICAL PIPES: $600 - 120 = 480$ MM
 HORIZONTAL PIPE: $1000 - 120 = 880$ MM



PIPES CAN SLIDE COMPLETELY THROUGH TEE AND HORIZONTALLY ON CROSSES (NO RIDGES INSIDE)



CONFIDENTIAL & PROPRIETARY
 ©2024 Impact Recovery Systems, Inc. All rights reserved. Products are covered by U.S. and international patents. Other U.S. and international patents pending.
 4955 STOUT DR. · SAN ANTONIO, TX 78219 · (800) 736-5256

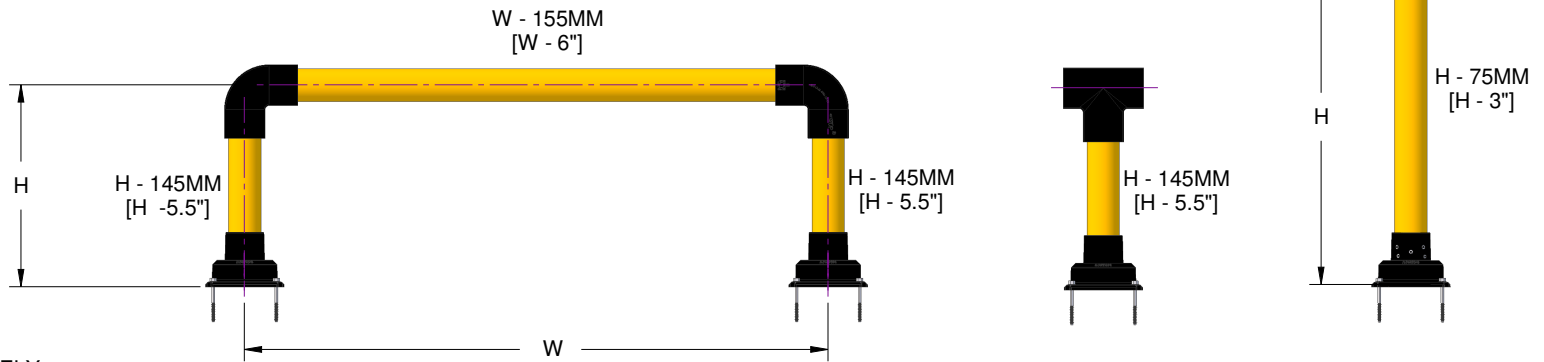
SIZE A	PART NO.	DWG. SLOWSTOP TYPE 1 (3") PIPE LENGTH CALCULATIONS	REV 1.0
SCALE	SLOWSTOP GUARDING SYSTEMS, LLC	DATE	08-DEC-2023

NOTES:

1. ALL MEASUREMENTS ROUNDED TO NEAREST 5MM / 0.5"
2. PIPE LENGTHS ARE FROM DESIRED CENTERLINES
3. CENTERLINES WILL VARY +/-10MM [+/- 0.5"]
4. PIPE DIAMETER: 101.6MM / 4.0"
5. BASE SIZE: 250MM X 250MM / 10" X 10"

EXAMPLE:

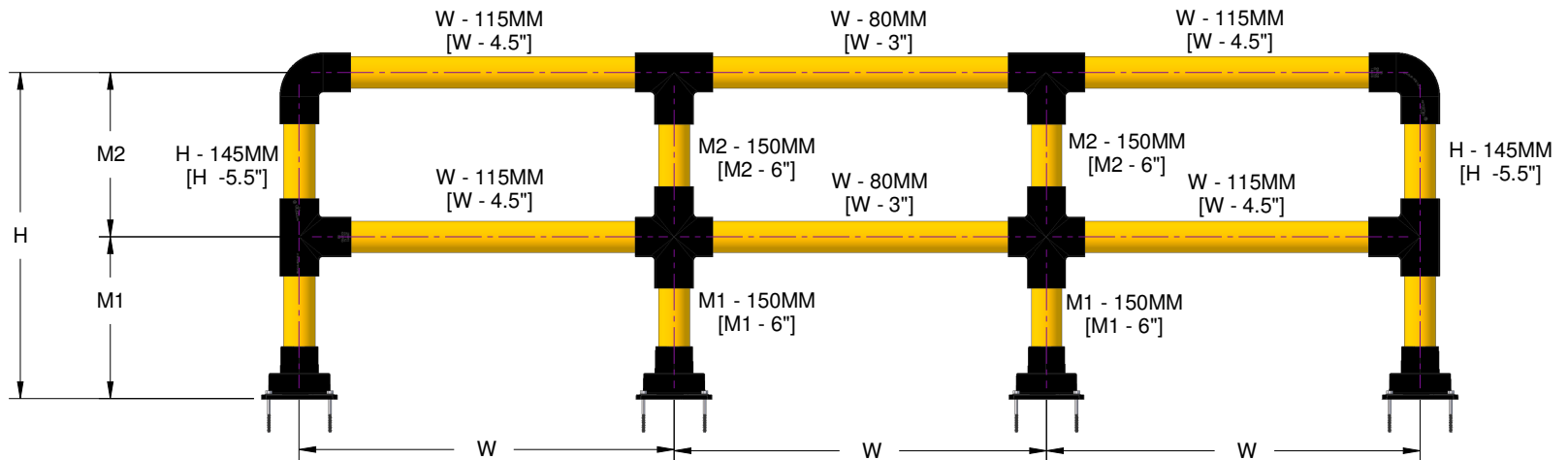
600 MM TALL X 1000MM WIDE HORSESHOE
 VERTICAL PIPES: 600 - 145 = 455 MM
 HORIZONTAL PIPE: 1000 - 155 = 845 MM



PIPE CAN SLIDE COMPLETELY THROUGH TEES PRODUCED 2016 OR LATER (NO RIDGES)

TEES WITH RIDGES

BASE TO TEE
 TEE TO ELBOW
 D - 145MM
 [D - 5.5"]



CONFIDENTIAL & PROPRIETARY

©2024 Impact Recovery Systems, Inc.® All rights reserved. Products are covered by U.S. and international patents. Other U.S. and international patents pending.

4955 STOUT DR. · SAN ANTONIO, TX 78219 · (800) 736-5256

SIZE
A

PART NO.

SCALE

DWG.
SLOWSTOP TYPE 2 (4")
PIPE LENGTH CALCULATIONS

SLOWSTOP GUARDING SYSTEMS, LLC

DATE 08-DEC-2023

REV
1.2



NOTES:

- 1. ALL MEASUREMENTS ROUNDED TO NEAREST 5MM / 1"
- 2. PIPE DIAMETER: 139,7MM (ISO) / 5.56" (US)

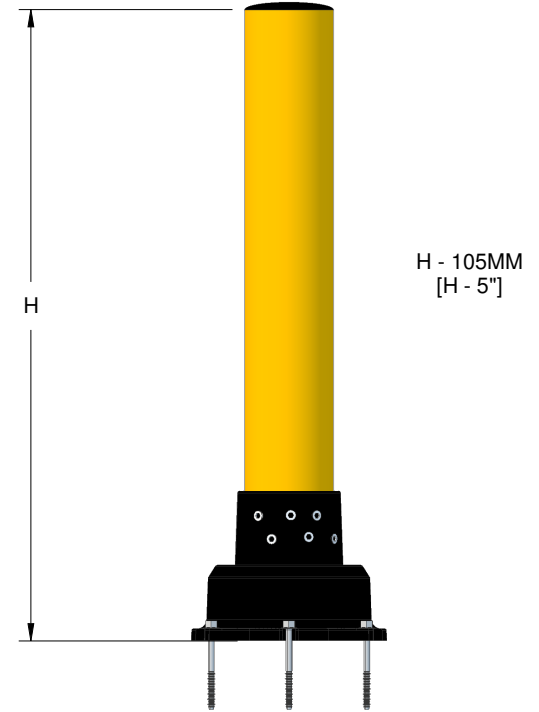
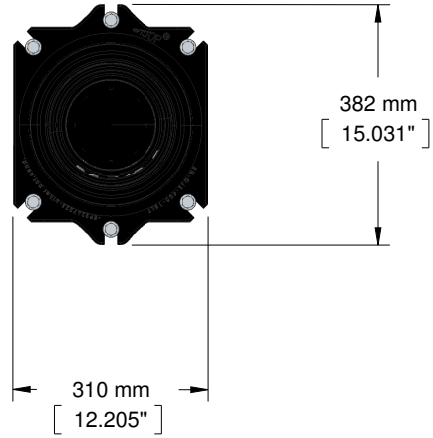
EXAMPLES:

1000 MM TALL BOLLARD

VERTICAL PIPE: 1000 - 105 = 895 MM

42" TALL BOLLARD

VERTICAL PIPE: 42" - 5" = 37"



CONFIDENTIAL & PROPRIETARY
 ©2024 Impact Recovery Systems, Inc.® All rights reserved. Products are covered by U.S. and international patents. Other U.S. and international patents pending.

4955 STOUT DR. · SAN ANTONIO, TX 78219 · (800) 736-5256

SIZE
A

PART NO.

DWG.
**SLOWSTOP TYPE 2.5 (5")
 PIPE LENGTH CALCULATIONS**

REV
1.0

SCALE

SLOWSTOP GUARDING SYSTEMS, LLC

DATE 08-DEC-2023





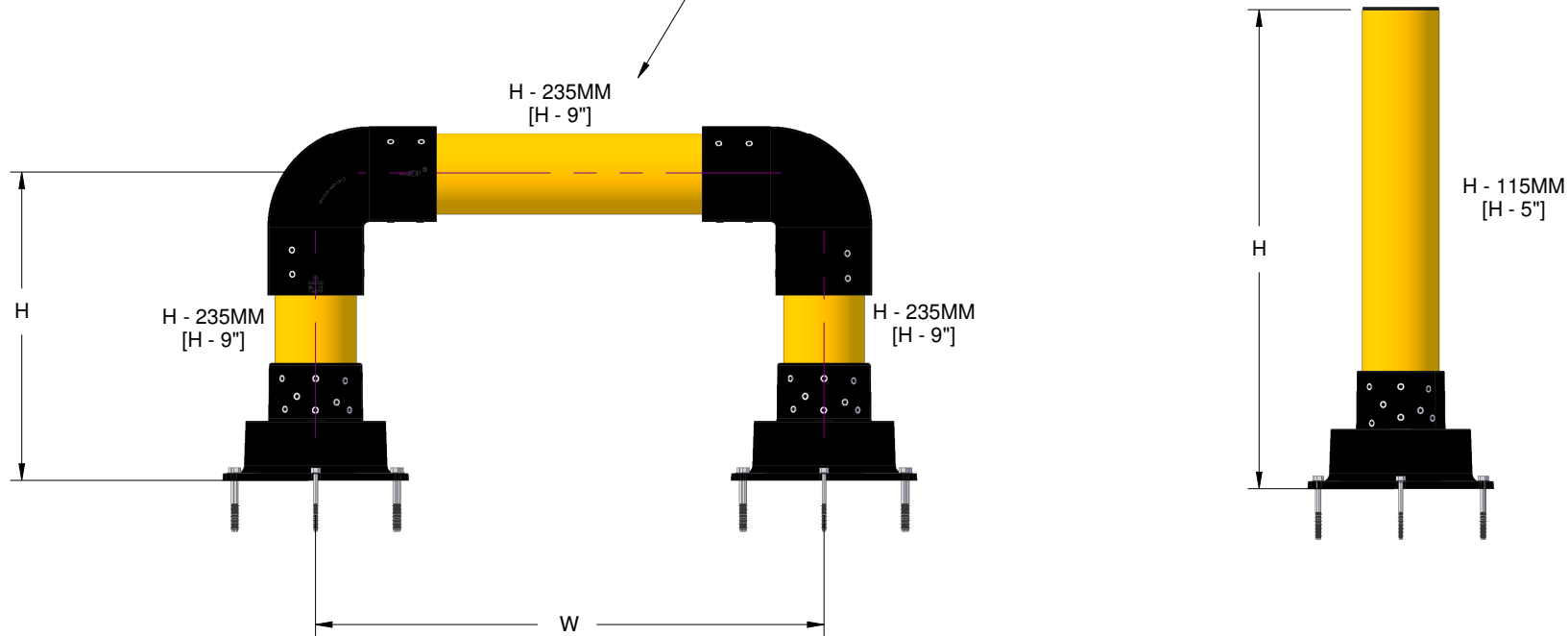
NOTES:

- 1. ALL MEASUREMENTS ROUNDED TO NEAREST 5MM / 1"
- 2. PIPE LENGTHS ARE FROM DESIRED CENTERLINES
- 3. CENTERLINES WILL VARY +/-10MM [+/- 0.5"]
- 4. PIPE DIAMETER: 177,8MM (ISO) / 6.63" (US)
- 5. BASE SIZE: 410MM X 410MM / 16.1" X 16.1"

EXAMPLE:

600 MM TALL X 1000MM WIDE HORSESHOE

VERTICAL PIPES: $600 - 235 = 365$ MM
 HORIZONTAL PIPE: $1000 - 235 = 765$ MM



CONFIDENTIAL & PROPRIETARY

©2024 Impact Recovery Systems, Inc. All rights reserved. Products are covered by U.S. and international patents. Other U.S. and international patents pending.

4955 STOUT DR. · SAN ANTONIO, TX 78219 · (800) 736-5256

SIZE
A

PART NO.

SCALE

DWG.
**SLOWSTOP TYPE 3 (6")
PIPE LENGTH CALCULATIONS**

SLOWSTOP GUARDING SYSTEMS, LLC

DATE 08-DEC-2023

REV
1.0

