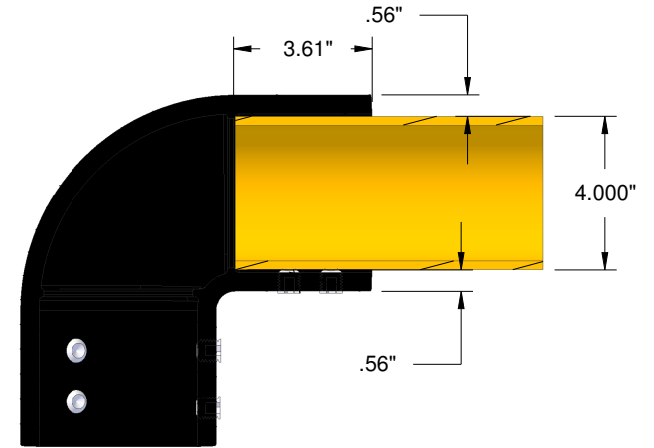
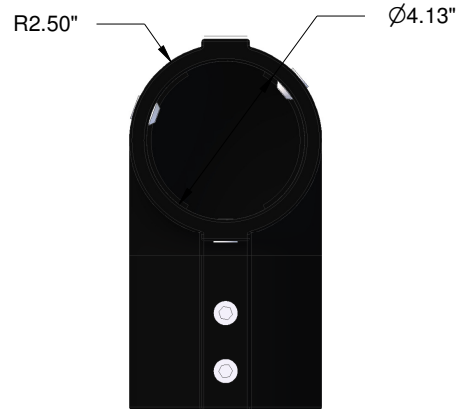
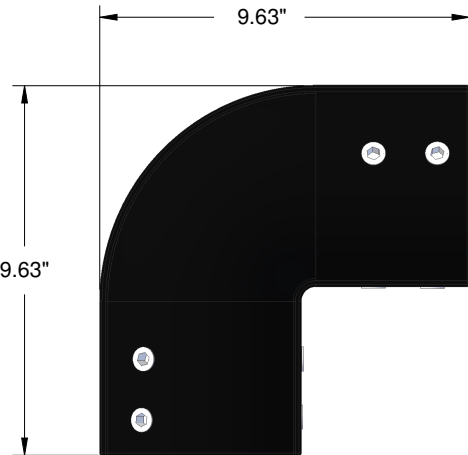
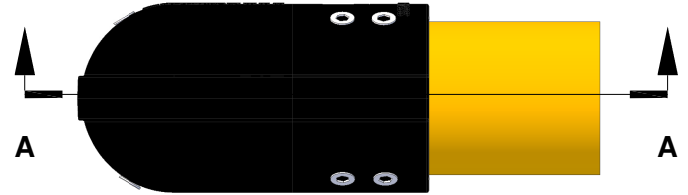




PIPE SHOWN FOR REFERENCE



Section A-A



CONFIDENTIAL & PROPRIETARY

©2024 Impact Recovery Systems, Inc. All rights reserved. Products are covered by U.S. and international patents. Other U.S. and international patents pending.

4955 STOUT DR. · SAN ANTONIO, TX 78219 · (800) 736-5256

SIZE
A

PART NO.
SS4-ELBOW

DWG.
IRONFLEX 4" ELBOW CONNECTOR

REV
2.0

SCALE

SLOWSTOP GUARDING SYSTEMS, LLC

DATE 08-DEC-2023