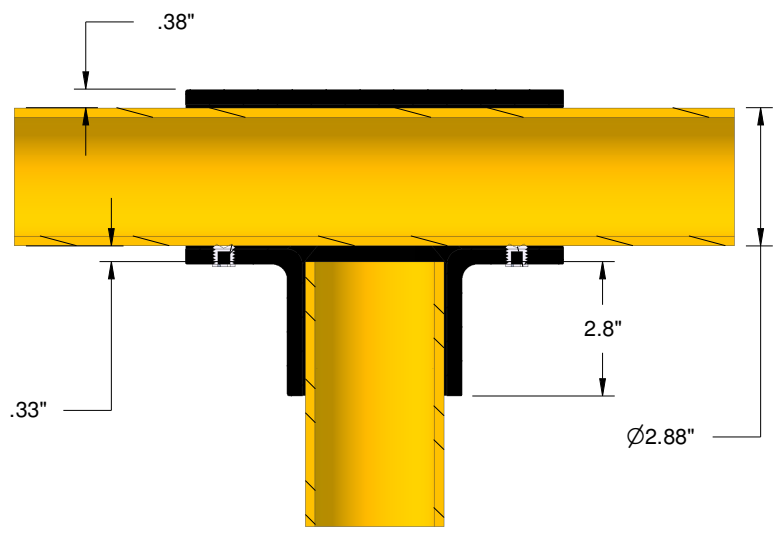
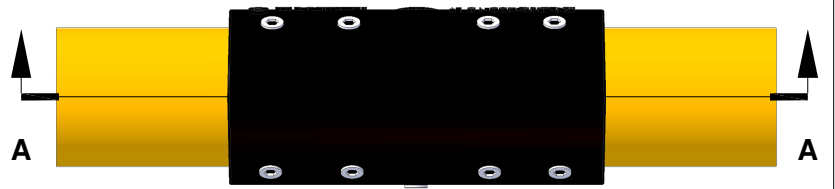


PIPE EXAMPLE



Section A-A



CONFIDENTIAL & PROPRIETARY

©2024 Impact Recovery Systems, Inc. All rights reserved. Products are covered by U.S. and international patents. Other U.S. and international patents pending.

4955 STOUT DR. · SAN ANTONIO, TX 78219 · (800) 736-5256

SIZE  
**A**

PART NO.  
SS3-TEE

DWG.  
IRONFLEX 3" TEE CONNECTOR

REV  
**2.0**

SCALE

SLOWSTOP GUARDING SYSTEMS, LLC

DATE  
08-DEC-2023

