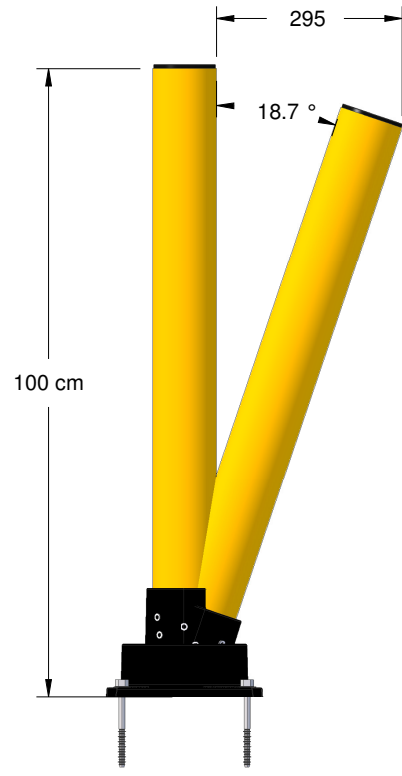
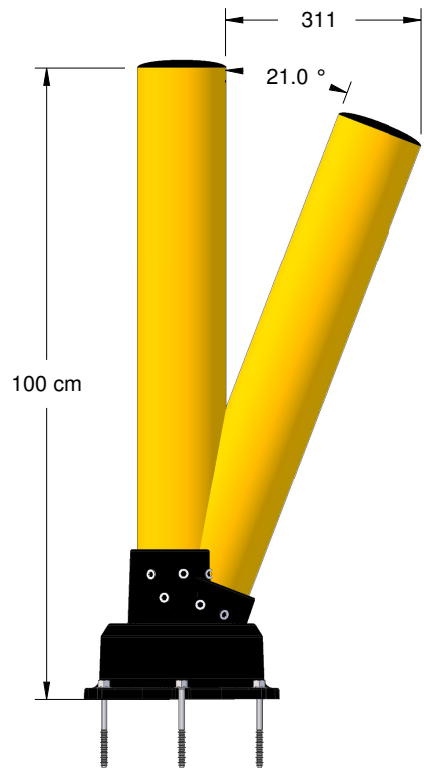


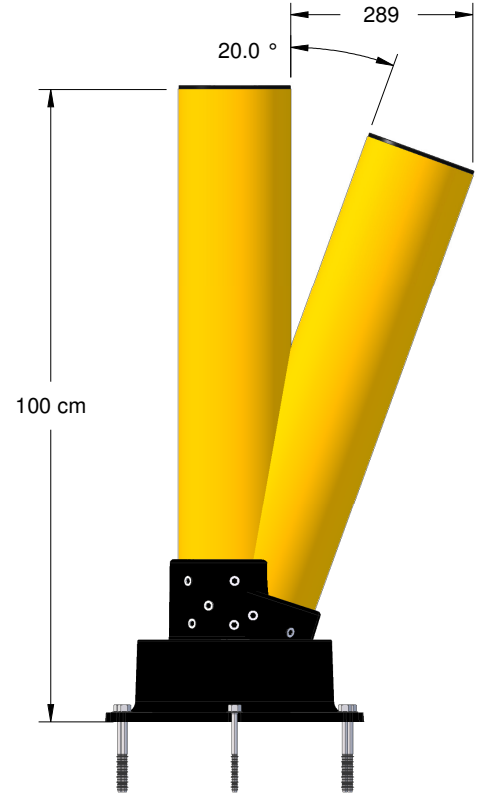
SS-T1Y-100



SS-T2Y-100



SS-T2.5Y-100



SS-T3Y-100

CONFIDENTIAL & PROPRIETARY

The drawing on this print and the information therewith are property of SlowStop Guarding Systems, LLC, and shall not be used or discussed in whole or in part without the consent of SlowStop Guarding Systems, LLC.

4955 STOUT DR. · SAN ANTONIO, TX 78219 · (800) 736-5256

SIZE  
**A**

PART NO.

SCALE  
1 / 12

DWG.

SLOWSTOP BOLLARDS MAX TILT

SLOWSTOP GUARDING SYSTEMS, LLC

DATE  
07-SEP-2017

REV  
**2.0**

