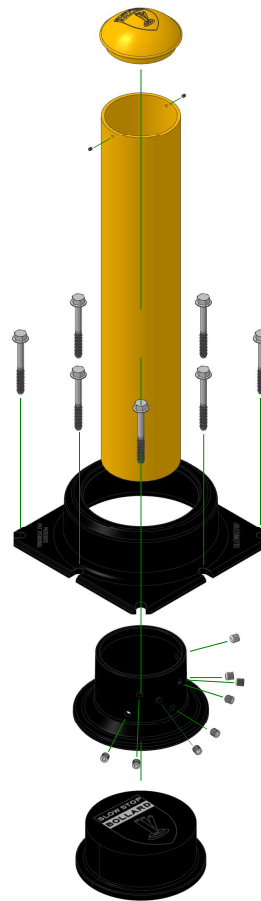
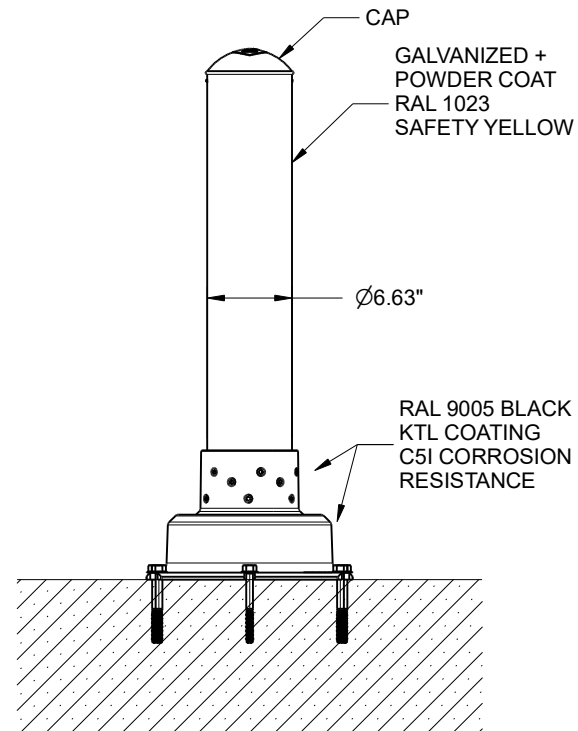


ISO



EXPLODED



* MINIMUM FOUNDATION DEPENDS ON LOCAL SOIL CONDITIONS, WEATHER & ENG. REQ'TS

DETAIL



CONFIDENTIAL & PROPRIETARY

©2024 Impact Recovery Systems, Inc.® All rights reserved. Products are covered by U.S. and international patents. Other U.S. and international patents pending.

4955 STOUT DR. · SAN ANTONIO, TX 78219 · (800) 736-5256

SIZE
A

PART NO.

SS6Y-42

DWG.

SLOWSTOP BOLLARD - Ø6.63" X 42"

REV
1.1

SCALE

SLOWSTOP GUARDING SYSTEMS, LLC

DATE

08-DEC-2023