

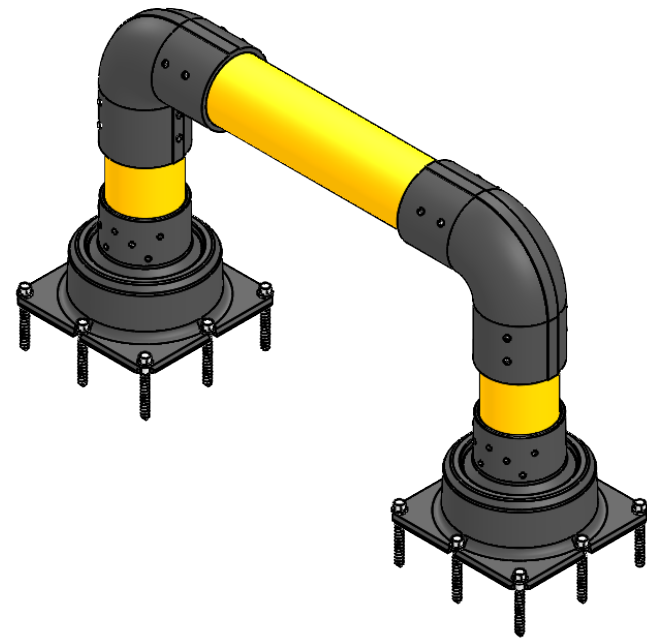
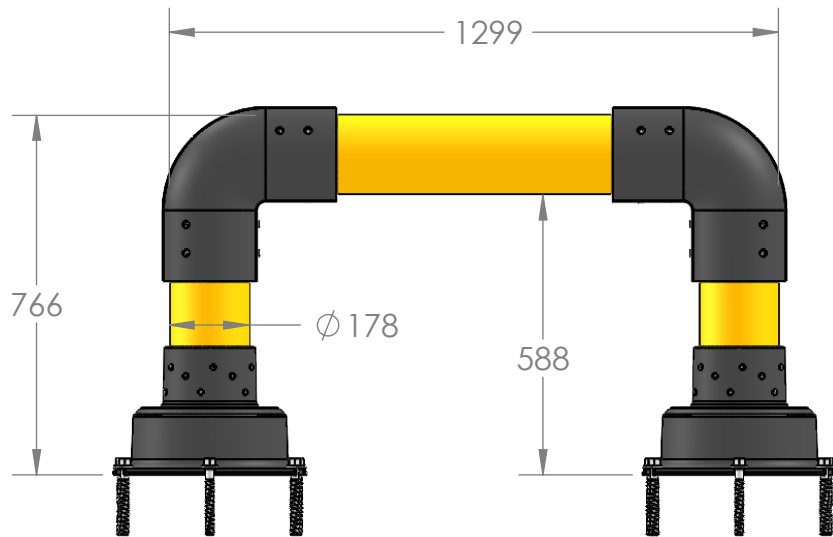
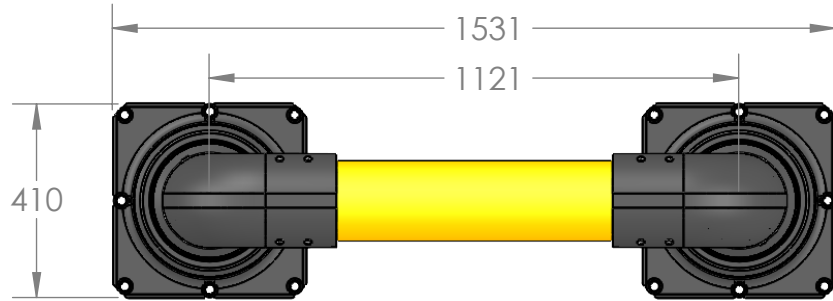
2

1

ITEM NO.	PART NUMBER	DESCRIPTION	QTY.
1	SS-T3-PEDESTAL	SLOWSTOP TYPE 3 PEDESTAL	2
2	SS-T3-ELBOW	SLOWSTOP TYPE 3 ELBOW	2
3	SS-T3Y-PIPE-440	SLOWSTOP TYPE 3 PIPE, YELLOW, 440 MM	2
4	SS-T3Y-PIPE-885	SLOWSTOP TYPE 3 PIPE, YELLOW, 885 MM	1

B

B



A

A



PROPRIETARY AND CONFIDENTIAL
 THE INFORMATION CONTAINED IN THIS DRAWING IS THE SOLE PROPERTY OF IMPACT RECOVERY SYSTEMS, INC.® ANY REPRODUCTION IN PART OR AS A WHOLE WITHOUT THE WRITTEN PERMISSION OF IMPACT RECOVERY SYSTEMS, INC.® IS PROHIBITED.

UNLESS OTHERWISE SPECIFIED:
 DIMENSIONS ARE IN INCHES
 TOLERANCES:
 INTERPRET GEOMETRIC TOLERANCING PER:

	NAME	DATE
DRAWN	RS	2/8/2024
CHECKED		
COMMENTS:		

IMPACT RECOVERY SYSTEMS, INC.®		
TITLE: SS-T2Y-68-HS-112		
SIZE A	DWG. NO.	REV 2.0
SCALE: 1:16	WEIGHT:	SHEET 1 OF 1

2

1