

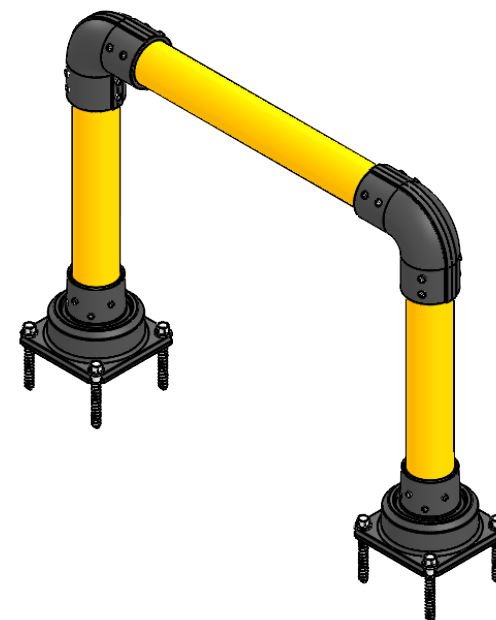
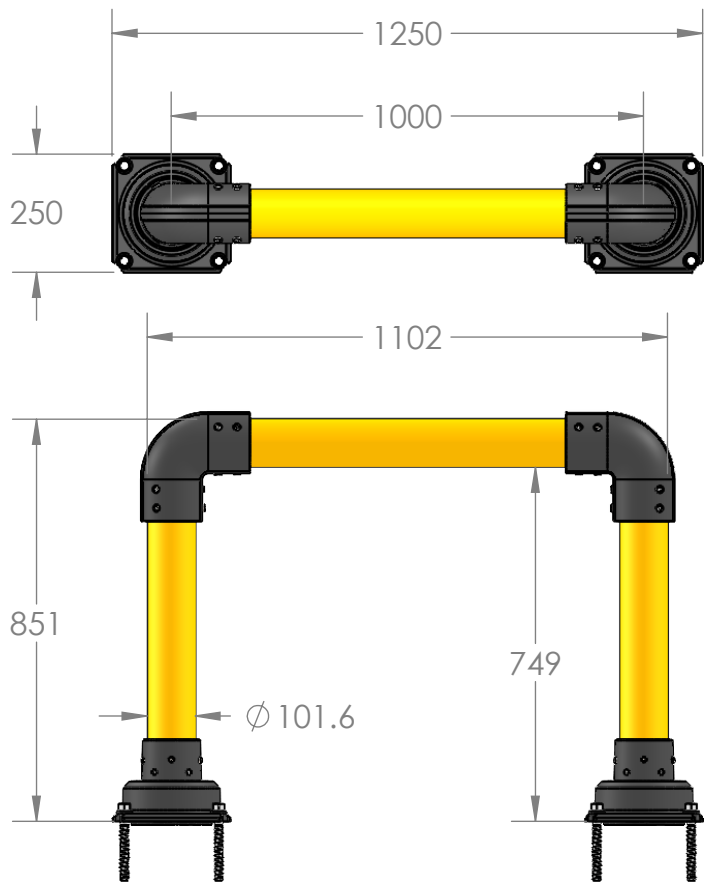
2

1

ITEM NO.	PART NUMBER	DESCRIPTION	QTY.
1	SS-T2-PEDESTAL	SLOWSTOP TYPE 2 PEDESTAL	2
2	SS-T2-ELBOW	SLOWSTOP TYPE 2 ELBOW	2
3	SS-T2Y-PIPE-645	SLOWSTOP TYPE 2 PIPE, YELLOW, 645 MM	2
4	SS-T2Y-PIPE-850	SLOWSTOP TYPE 2 PIPE, YELLOW, 850MM	1

B

B



A

A



PROPRIETARY AND CONFIDENTIAL

THE INFORMATION CONTAINED IN THIS DRAWING IS THE SOLE PROPERTY OF IMPACT RECOVERY SYSTEMS, INC.® ANY REPRODUCTION IN PART OR AS A WHOLE WITHOUT THE WRITTEN PERMISSION OF IMPACT RECOVERY SYSTEMS, INC.® IS PROHIBITED.

UNLESS OTHERWISE SPECIFIED:

DIMENSIONS ARE IN INCHES TOLERANCES:

INTERPRET GEOMETRIC TOLERANCING PER:

	NAME	DATE	IMPACT RECOVERY SYSTEMS, INC.®	
DRAWN	RS	2/8/2024	TITLE:	
CHECKED			SS-T2Y-80 -HS-100	
COMMENTS:			SIZE	REV
			A	2.0
			SCALE: 1:16	WEIGHT:
			SHEET 1 OF 1	

2

1