

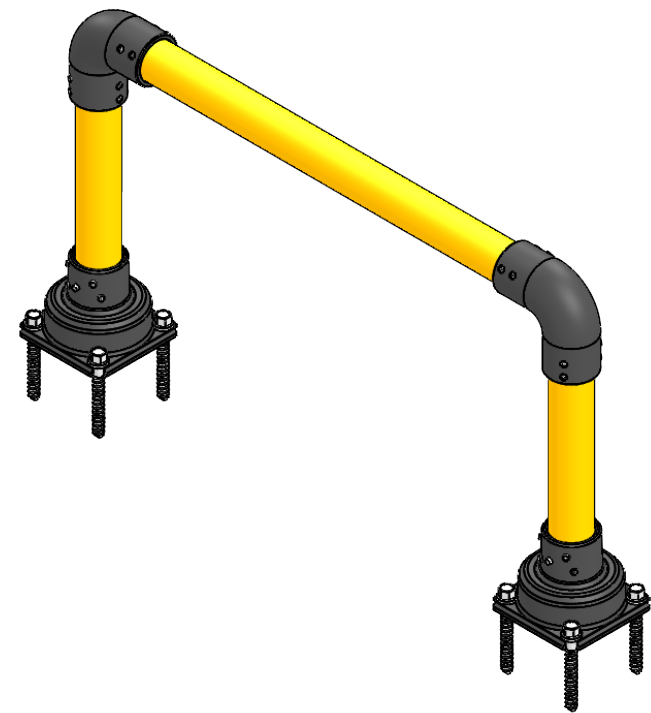
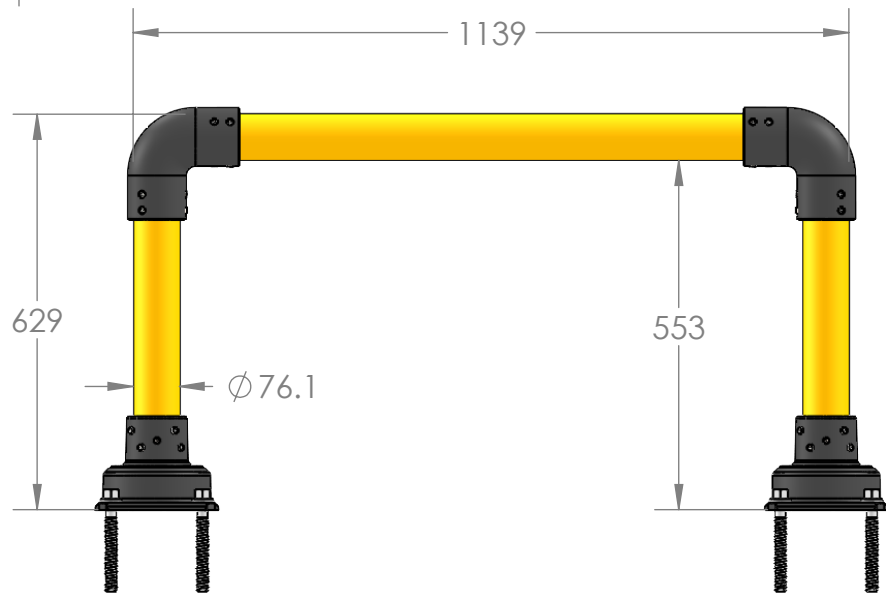
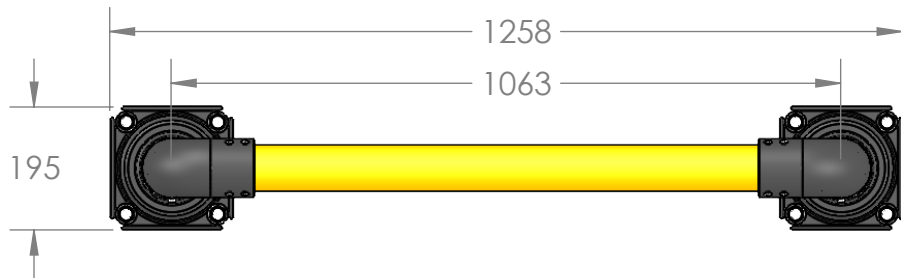
2

1

ITEM NO.	PART NUMBER	DESCRIPTION	QTY.
1	SS-T1-PEDESTAL	SLOWSTOP TYPE 1 PEDESTAL	2
2	SS-T1-ELBOW	SLOWSTOP TYPE 1 ELBOW	2
3	SS-T1Y-PIPE-470	SLOWSTOP TYPE 1 PIPE, YELLOW, 470 MM	2
4	SS-T1Y-PIPE-940	SLOWSTOP TYPE 1 PIPE, YELLOW, 940 MM	1

B

B



A

A



PROPRIETARY AND CONFIDENTIAL

THE INFORMATION CONTAINED IN THIS DRAWING IS THE SOLE PROPERTY OF IMPACT RECOVERY SYSTEMS, INC.® ANY REPRODUCTION IN PART OR AS A WHOLE WITHOUT THE WRITTEN PERMISSION OF IMPACT RECOVERY SYSTEMS, INC.® IS PROHIBITED.

UNLESS OTHERWISE SPECIFIED:

DIMENSIONS ARE IN INCHES TOLERANCES:

INTERPRET GEOMETRIC TOLERANCING PER:

4955 STOUT DR. | SAN ANTONIO, TX 78219 | 1-800-736-5256 | impactrecovery.com

NAME		DATE	IMPACT RECOVERY SYSTEMS, INC.®	
DRAWN	RS	2/8/2024	TITLE:	
CHECKED			SS-T1Y-59-HS-106	
COMMENTS:			SIZE	REV
			A	2.0
SCALE: 1:12		WEIGHT:	SHEET 1 OF 1	

2

1