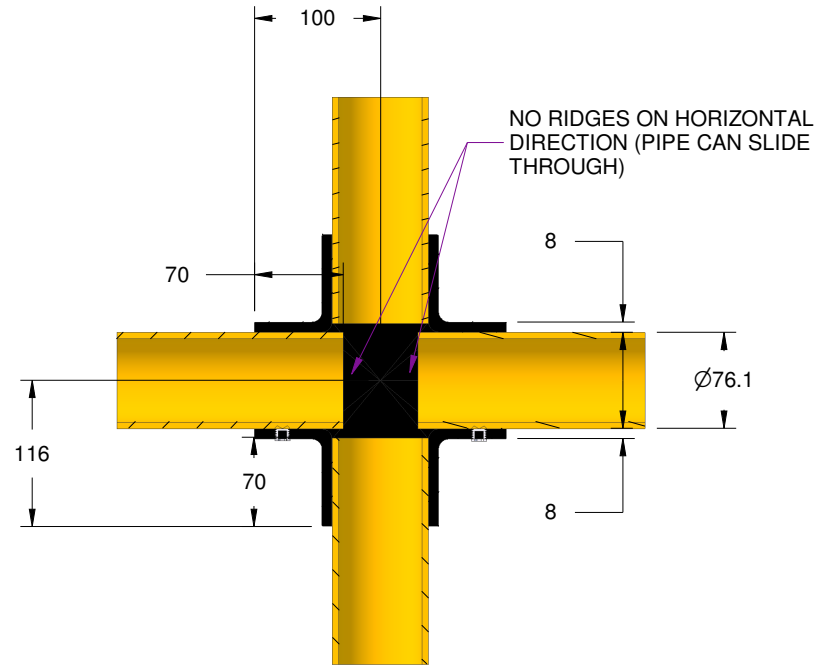


PIPE SHOWN FOR REFERENCE



Section A-A



CONFIDENTIAL & PROPRIETARY

The drawing on this print and the information therewith are property of SlowStop Guarding Systems, LLC, and shall not be used or discussed in whole or in part without the consent of SlowStop Guarding Systems, LLC.

4955 STOUT DR. · SAN ANTONIO, TX 78219 · (800) 736-5256

SIZE A	PART NO. SS-T1-CROSS	DWG. IRONFLEX TYPE 1 CROSS CONNECTOR	REV 1.0
SCALE	SLOWSTOP GUARDING SYSTEMS, LLC	DATE	11-AUG-2017