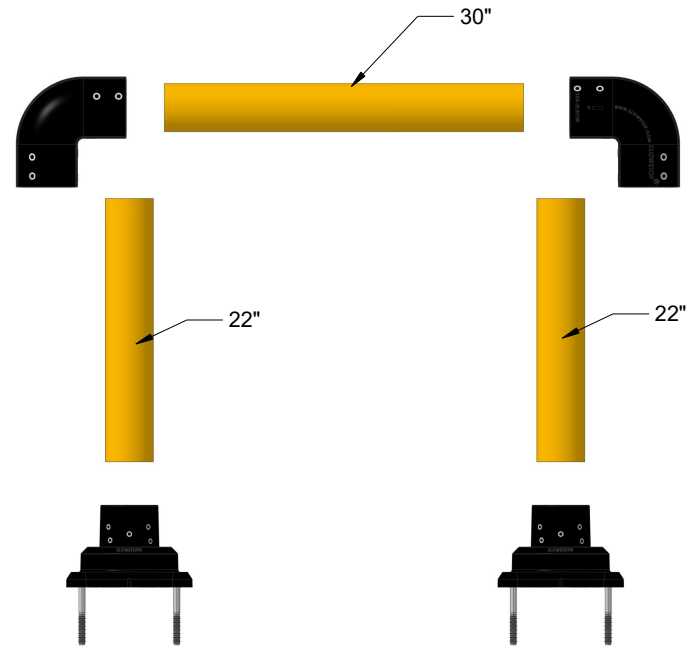


GALVANIZED +
POWDER COAT
RAL 1023
SAFETY YELLOW

E-COAT + RAL 9005
BLACK POWDER COAT
C5I CORROSION
RESISTANCE



* MINIMUM FOUNDATION DEPENDS ON LOCAL
SOIL CONDITIONS, WEATHER & ENG. REQ'TS



CONFIDENTIAL & PROPRIETARY

The drawing on this print and the information therewith are property of SlowStop Guarding Systems, LLC, and shall not be used or discussed in whole or in part without the consent of SlowStop Guarding Systems, LLC.

4955 STOUT DR. · SAN ANTONIO, TX 78219 · (800) 736-5256

SIZE
A

PART NO.
SS4Y-28-HS-36

DWG.
IRONFLEX 4" HORSESHOE BOLLARD

REV
1.1

SCALE
1 / 16

SLOWSTOP GUARDING SYSTEMS, LLC

DATE
25-MAY-2023